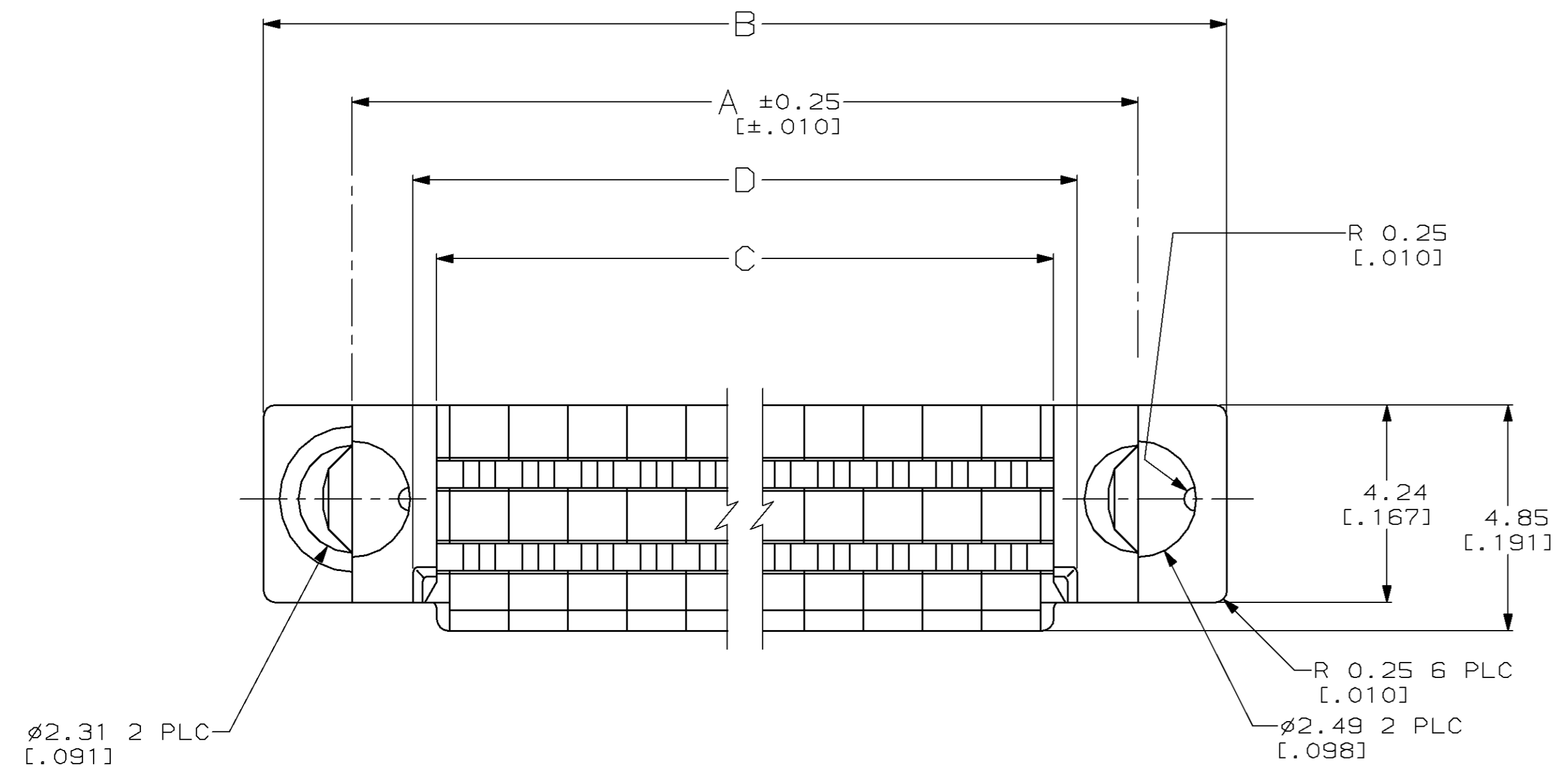
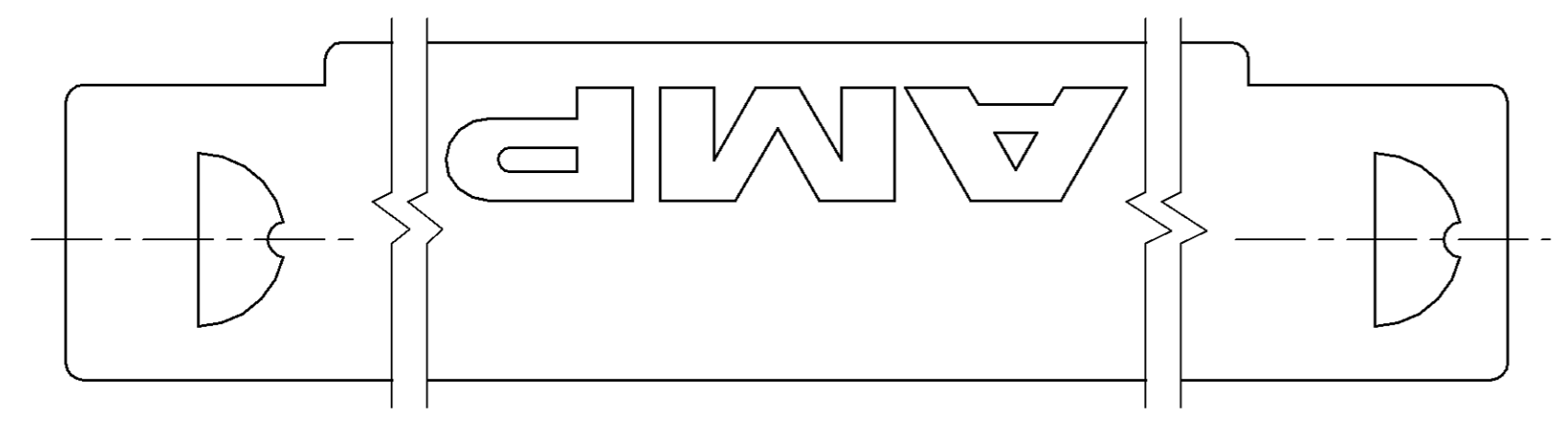
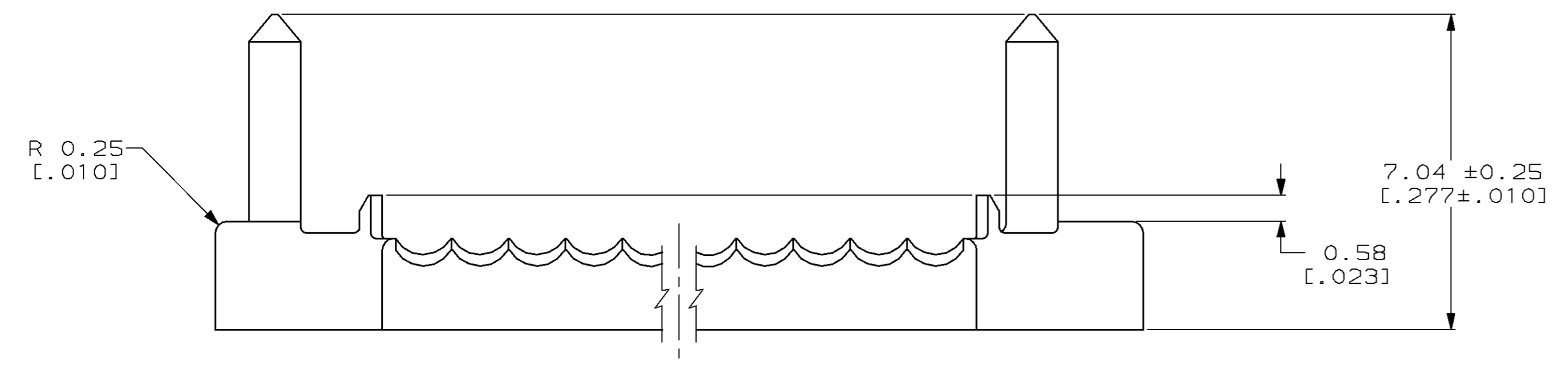


LOC		DIST		P		F		ZONE		LTR		REVISIONS			
AD	39											DESCRIPTION	DATE	APPD	
												0	RELEASED	-	-
												A	REV PER 0010-1445-93	2-8-94	PS
												B	REV PER 0010-1656-93	2-8-94	PS
												C	REV PER 0310-0051-96	8-27-96	PS



1 MATERIAL: POLYESTER, BLACK.
 2 OBSOLETE PART NUMBER.



44.76	43.74	51.18	47.37	68	1-104891-1
[1.762]	[1.722]	[2.015]	[1.865]		
65.08	64.06	71.50	67.69	100	1-104891-0
[2.562]	[2.522]	[2.815]	[2.665]		
58.73	57.71	65.15	61.34	90	104891-9
[2.312]	[2.272]	[2.565]	[2.415]		
52.38	51.36	58.80	54.99	80	104891-8
[2.062]	[2.022]	[2.315]	[2.165]		
46.03	45.01	52.45	48.64	70	104891-7
[1.812]	[1.772]	[2.065]	[1.915]		
39.68	38.66	46.10	42.29	60	104891-6
[1.562]	[1.522]	[1.815]	[1.665]		
33.33	32.31	39.75	35.94	50	104891-5
[1.312]	[1.272]	[1.565]	[1.415]		
26.98	25.96	33.82	29.59	40	104891-4
[1.062]	[1.022]	[1.315]	[1.165]		
20.63	19.61	27.05	23.24	30	104891-3
[.812]	[.772]	[1.065]	[.915]		
14.28	13.26	20.70	16.89	20	104891-2
[.562]	[.522]	[.815]	[.665]		
7.92	6.91	14.35	10.54	10	104891-1
[.312]	[.272]	[.565]	[.415]		
D	C	B	A	NO OF POSN	PART NUMBER

DO NOT SCALE PRINT. UNLESS SPECIFIED DIMENSIONS IN mm [INCHES] TOLERANCES ON: 2 PLC DEC ± 0.36 [.015] 3 PLC DEC ± - ANGLES ± -	DR 6-23-93 L. CASTAGNA CHK 6-24-93 J. HERRINGTON APPD 6-24-93 J. HERRINGTON APPD 6-24-93 D. DUPLER PRODUCT SPEC 108-1443	AMP AMP Incorporated Harrisburg, PA 17105-3608 NAME TERMINATING COVER AMPMODU 50/50 GRID			
FINISH -	APPLICATION SPEC 114-7010	SIZE D	CAGE CODE 00779	DRAWING NO C=104891	
WEIGHT -		SCALE 10:1		SHEET 1 OF 1	

THIS DRAWING IS A CONTROLLED DOCUMENT FOR AMP INCORPORATED. IT IS SUBJECT TO CHANGE AND THE CONTROLLING ENGINEERING ORGANIZATION SHOULD BE CONTACTED FOR THE LATEST REVISION.